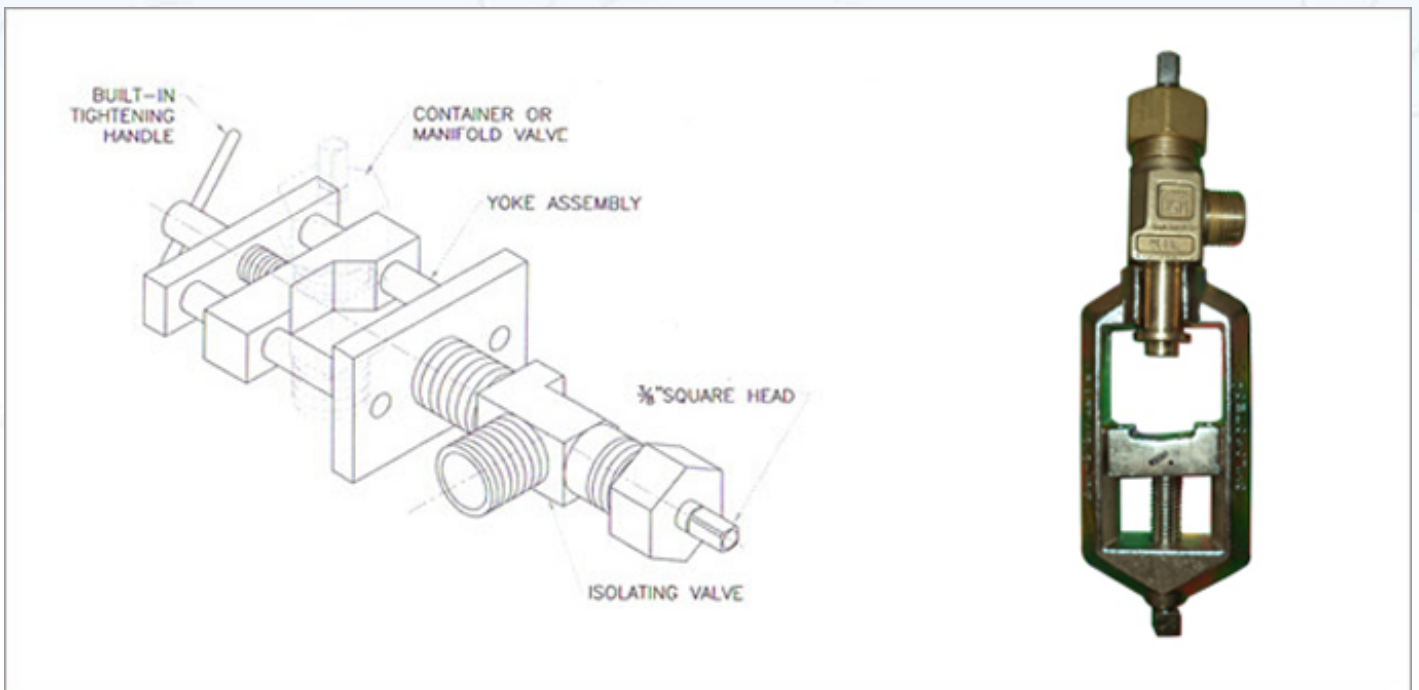


Auxillary Ton Container Valve



PART NO.:A-480

NOTE :

- ISOLATION VALVE AND MOUNTING YOKE ASSEMBLY FOR USE WITH CHLORINE, SULFUR DIOXIDE, GAS OR LIQUID.
- MATERIAL : ISOLATING VALVE-ALUMINUM SILICON BRONZE YOKE-STEEL